

# C1D2

## Wet Location Emergency Light

EMERGENCY LIGHTING



### FEATURES

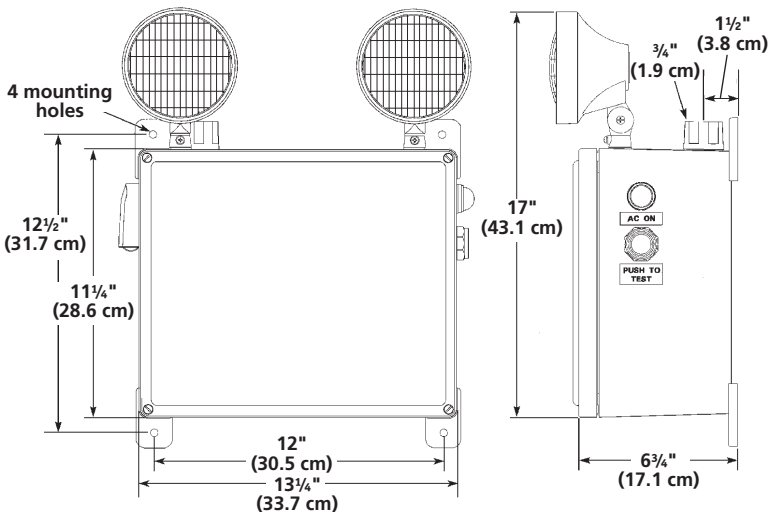
- High capacity emergency unit for hazardous environments
- Black, sealed and gasketed non-metallic polymeric construction in 6 or 12 volt models
- Corrosion resistant external stainless steel hardware
- Fully adjustable, glare free, high-output sealed beam halogen lamps
- Maintenance-free lead-acid battery with fully automatic charger
- Temperature range: 0°C to 40°C (32°F to 104°F); T5 (100°C) temperature code
- Listed to NEMA Type 3R enclosure requirements with UL approved venting
- UL 924 Wet Location Listed and 844 Listed for NEC C1D2 Groups B,C,D and C1ZII Groups IIA, IIB+H2(Hydrogen)

### ORDERING INFORMATION

|              |                          |                            |                |   |
|--------------|--------------------------|----------------------------|----------------|---|
| <b>C1D2</b>  |                          |                            | -              |   |
| <b>MODEL</b> | <b>OUTPUT VOLTAGE</b>    | <b>CAPACITY</b>            | <b>OPTIONS</b> |   |
| C1D2         | 6V 6 Volt<br>12V 12 Volt | 36 36 Watts<br>72 72 Watts | 0 0 Lampheads  | 1 1 Lampheads<br>12 12 Watt halogen lamps |

### ELECTRONICS

- 120/277 60 Hz VAC operation, test switch and LED AC-On indicator light
- Transformer isolation, surge, transient and low voltage disconnect protection
- Reverse polarity, short circuit and AC lockout protection
- Extended remote capacity and time delay retransfer (TDR)



### MATCHING REMOTE HEADS

| SINGLE-HEAD MODEL NUMBERS |                |                | LAMP  |       |
|---------------------------|----------------|----------------|-------|-------|
| HUB LEFT SIDE             | HUB RIGHT SIDE | HUB BOTH SIDES | VOLTS | WATTS |
| C1D2R-6V8W                | C1D2R-6V8WR    | C1D2R-6V8WF    | 6     | 8     |
| C1D2R-6V12W               | C1D2R-6V12WR   | C1D2R-6V12WF   | 6     | 12    |
| C1D2R-12V8W               | C1D2R-12V8WR   | C1D2R-12V8WF   | 12    | 8     |
| C1D2R-12V12W              | C1D2R-12V12WR  | C1D2R-12V12WF  | 12    | 12    |
| TWIN-HEAD MODEL NUMBERS   |                |                | LAMP  |       |
| HUB LEFT SIDE             | HUB RIGHT SIDE | HUB BOTH SIDES | VOLTS | WATTS |
| C1D2TR-6V8W               | C1D2TR-6V8WR   | C1D2TR-6V8WF   | 6     | 8     |
| C1D2TR-6V12W              | C1D2TR-6V12WR  | C1D2TR-6V12WF  | 6     | 12    |
| C1D2TR-12V8W              | C1D2TR-12V8WR  | C1D2TR-12V8WF  | 12    | 8     |
| C1D2TR-12V12W             | C1D2TR-12V12WR | C1D2TR-12V12WF | 12    | 12    |

\* PAR 36 Halogen sealed beam lamps.

### SPECIFICATIONS

| BASE CATALOG NUMBER | ELECTRICAL   |         |         |         |               |                   |
|---------------------|--------------|---------|---------|---------|---------------|-------------------|
|                     | OUTPUT VOLTS |         |         |         | STANDARD LAMP | REMOTE CAPABILITY |
|                     |              | 2 HOURS | 3 HOURS | 4 HOURS |               |                   |
| C1D2-6V36           | 6            | 36      | 24      | 19      | 8W HAL        | Yes               |
| C1D2-6V72           | 6            | 72      | 50      | 39      | 8W HAL        | Yes               |
| C1D2-12V36          | 12           | 36      | 24      | 19      | 8W HAL        | Yes               |
| C1D2-12V72          | 12           | 72      | 50      | 39      | 8W HAL        | Yes               |

